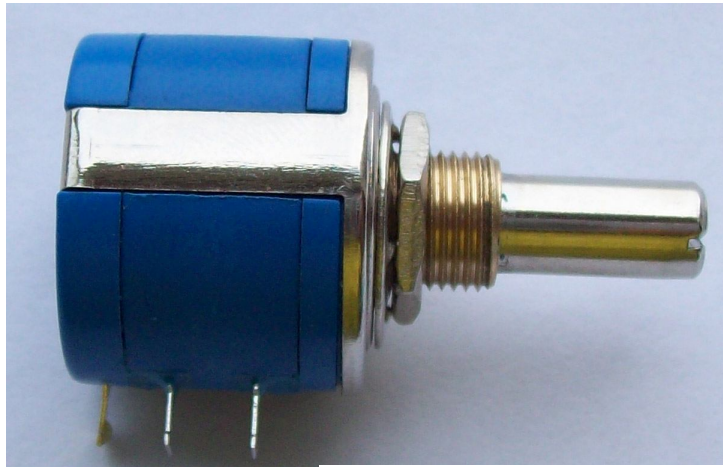
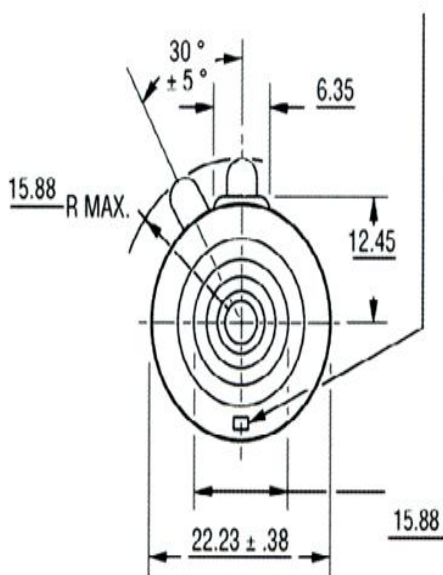
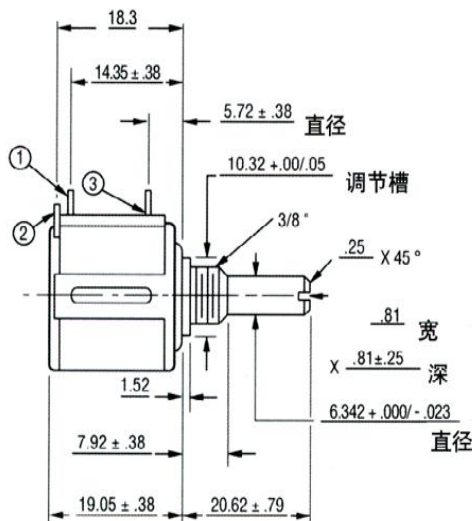


Datasheet of Wire-wound Precision Potentiometer 3540 Series

★Pictures :



★Dimensions:



★Characteristics

■Electrical Characteristics

Standard Resistance Range: 100Ω — $100K\Omega$

Resistance Tolerance: $\pm 5\%$

Independent Linearity: $\pm 0.5\%$

Effective Electrical Travel: $\geq 3600^\circ - 10^\circ$

Terminal Resistance: $\leq 0.2\%R$ or 5Ω

Noise: $\leq 3\%R$ or 3Ω

Insulation Resistance: $R_i \geq 1G\Omega$

Withstand Voltage: $101.3Pa$ $710V$, $8.5kPa$ $470V$

■Environment Characteristics

Rated Power: $+70^\circ C$ $2W$, $+125^\circ C$ $0W$

Temperature Range: $-55^\circ C$ — $+125^\circ C$

Temperature Coefficient: $\pm 100ppm / ^\circ C$

Temperature Variation: $\Delta R \leq \pm 2\%R$, $\Delta(U_{ab} / U_{ac}) \leq \pm 1\%$

Vibration: $390m / s^2$, 4000 cycles, $\Delta R \leq \pm 1\%R$

Collision: 10 — $500HZ$, $0.75mm$ or $98m/s^2$, $6h$,

$\Delta R \leq \pm 1\%R$, $\Delta(U_{ab} / U_{ac}) \leq \pm 2\%$

Climate Category: $\Delta R \leq \pm 3\%R$, $R_i \geq 100M\Omega$

Electrical Endurance at $70^\circ C$: $2W$, $1000h$, $\Delta R \leq \pm 3\%R$

Mechanical Endurance: 10000 cycles, $\Delta R \leq \pm 3\%R$

Steady damp-heat: $\Delta R \leq \pm 3\%R$, $R_i \geq 100M\Omega$

■Physical Characteristics

Total Mechanical Travel: $3600^\circ \pm 10^\circ$

Starting Torque: $\leq 36mN \cdot m$

Clutch Torque: $\geq 300mN \cdot m$

Standard Packaging: 25 pcs/box