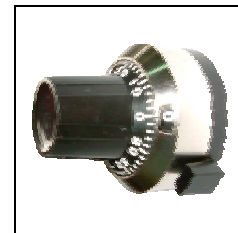
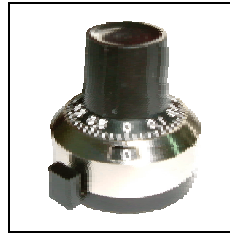


FEATURE

- Dia. 22mm / Depth 25mm
- Excellent Legibility / No Backlash
- High Force / Positive Brake
- Fit 6.35mm/6mm/4mm Dia. Shafts



MECHANICAL AND PHYSICAL CHARACTERISTICS

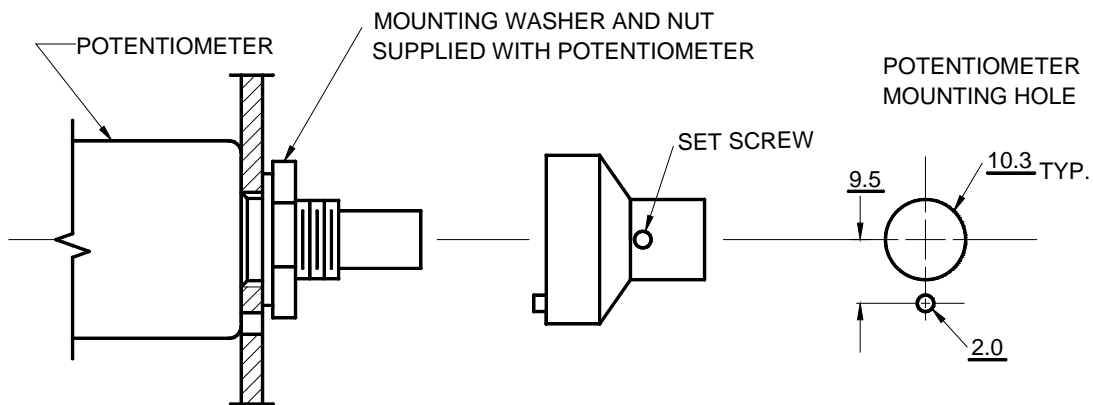
Number of Turns	0 to 15
Dial Divisions	50 per turn
Torque with Brake Engaged	550 mN · m min.
Weight	7 grams
Markings	White on black background
Locking Brake	Yes
Readout	Concentric scale
Knob Material	Black Plastic

SHAFT AND BUSHING REQUIREMENTS

Shaft Diameter Requirements	6.35mm, 6mm, 4mm
Shaft Extension Beyond Panel	17.5mm min. 22.5mm max.
Bushing Extension Beyond Panel	10mm max.

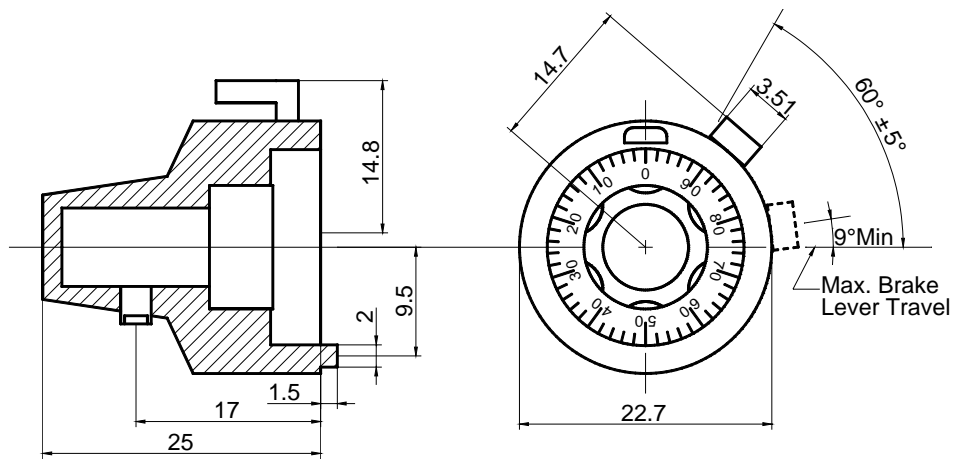
RH-506 MOUNTING INSTRUCTIONS

1. Drill 2.0 mm diameter anti-rotation pin hole on vertic centerline, 9.5mm below center of potentiometer mounting hole.
2. Mount potentiometer in panel with nut and lockwasher supplied with the potentiometer.
3. Turn potentiometer shaft counterclockwise to obtain minimum resistance or voltage ratio. This is not necessarily identical with mechanical stop.
4. Loosen set screws in knob of dial. Set dial to "0.0" reading.
5. While holding outer ring of dial, position unit lightly against panel. Tighten knob set screws to potentiometer shaft.



Specifications are subject to change without notice.

OUTLINE DIMENSIONS



RH-506

Unit: mm Tolerance: ± 0.25 if not specified

HOW TO ORDER

Part Number	Accepts Shaft Diameter	Finish
RH-506-1/4	6.35 mm	Satin Chrome
RH-506-6M	6 mm	Satin Chrome
RH-506-4M	4 mm	Satin Chrome

Specifications are subject to change without notice.