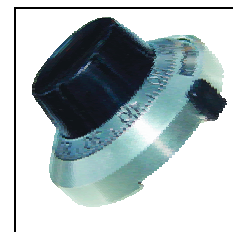
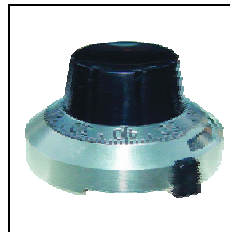


**RH-46** Cross to BI RB  
**URNS-COUNTING DIAL**



**FEATURE**

- Dia. 46mm / Depth 25mm
- Excellent Legibility / No Backlash
- High Force / Positive Brake
- Large Package Size / Cast Housing
- Fit 6.35mm/6mm/4mm Dia. Shafts



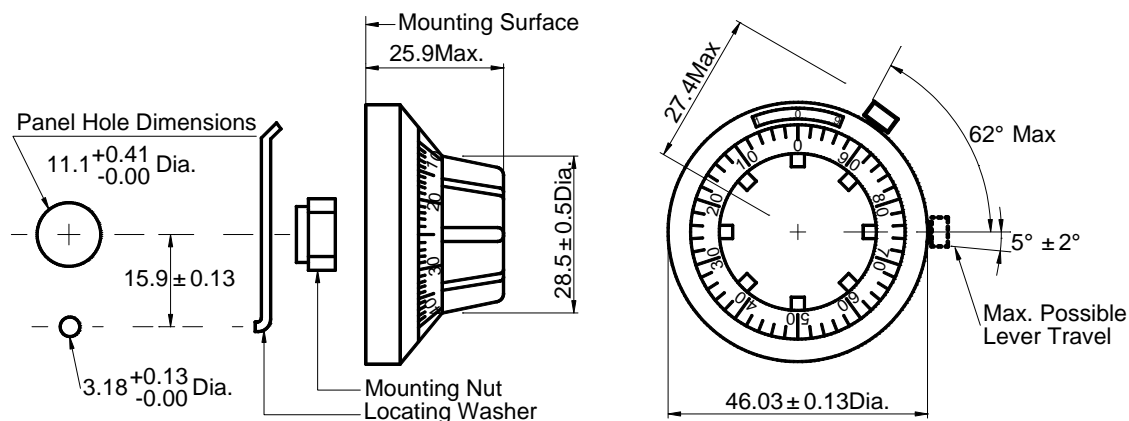
**MECHANICAL AND PHYSICAL CHARACTERISTICS**

Number of Turns	0 to 15
Dial Divisions	100 per turn
Weight	75 grams
House Finish	Satin chrome
Markings	Black on chrome background
Locking Brake	Yes
Readout	Concentric scale
Knob Material	Black plastic

**SHAFT AND BUSHING REQUIREMENTS**

Shaft Diameter Requirements	6.35mm, 6mm, 4mm
Shaft Extension Beyond Panel	17.5mm min. 22.5mm max.
Bushing Extension Beyond Panel	10mm max.

**OUTLINE DIMENSIONS**



Unit: mm Tolerance: ± 0.25 if not specified

**HOW TO ORDER**

Part Number	Accepts Shaft Diameter	Finish
RH-46-1/4	6.35 mm	Satin Chrome
RH-46-6M	6 mm	Satin Chrome
RH-46-4M	4 mm	Satin Chrome

Specifications are subject to change without notice.